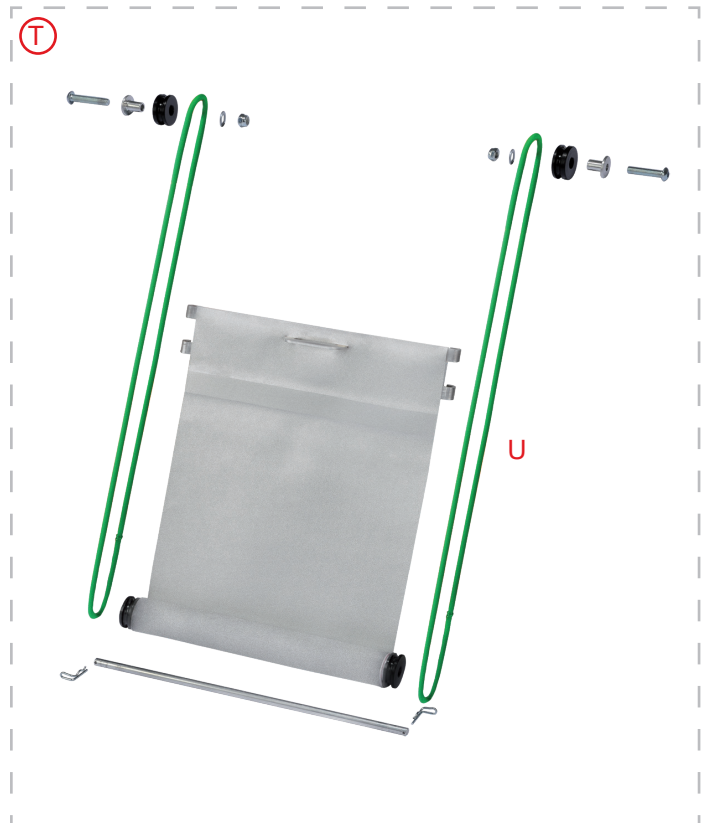
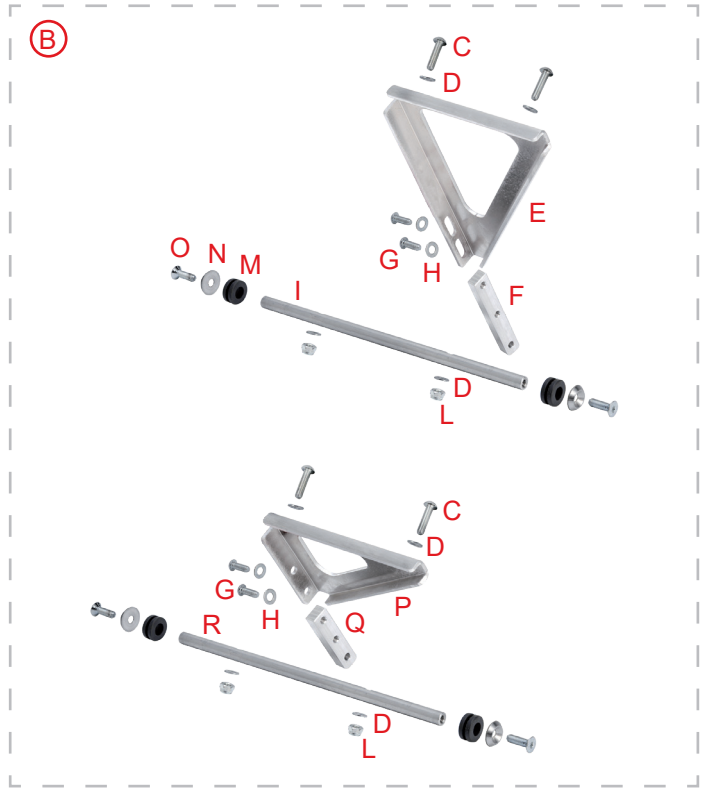
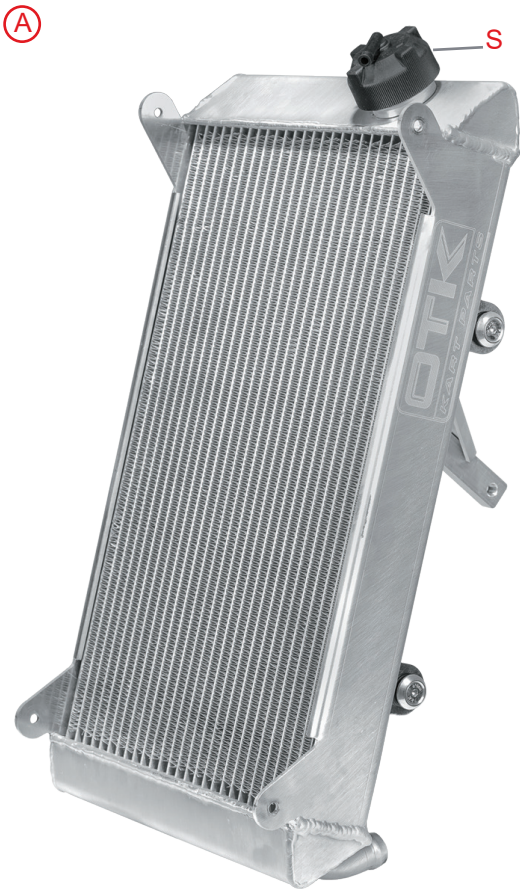


Tav. 48

RADIATORE 470 x 265  
RADIATOR 470 x 265



Rif.	470 x 265 RADIATOR		¥
48		Description	Tax included
A	0093.E0KIT	OTK ラジエターKit 470x265x43	Radiator Kit OTK 470x265x43 complete with supports 0
B	0094.E0KIT	Kit Supporti Radiatore OTK 470x265x43	Supports Kit for Radiator OTK 470x265x43 mm 46,200
C	V.TB5X20	ネジ TB5X20	TB screw 5x20 mm 88
D	R.P.5X11	ワッシャー D.5x11	Washer Ø 5x11x1 mm 11
E	0094.E1	ラジエターアッパーサポート OTK 470x265x43	Upper Support for radiator OTK 470x265x43 mm 7,040
F	0094.E1B	Barra Supporto Radiatore Sup. OTK 470x265x43	Upper Radiator Support Bar OTK 470x265x43 mm 0
G	V.TB6X16	ネジ TB6X16	TB screw 6x16 mm 55
H	R.P.6X12	ワッシャー D.6x12	Washer Ø 6,3x12,5x1 mm 22
I	0094.E1A	Asta Supporto Radiatore Sup. OTK 470x265x43	Upper Radiator Support Rod OTK 470x265x43 mm 0
L	D.M5A.B.	ロックナット M5(ナイロン)	A.B. nut M5 mm 22
M	0093.02	アンチバンプレーションラバー	Anti-vibration rubber 462
N	0033.00	ロケットワッシャー M6/ALU	Biconical AL washer Ø 6 mm 264
O	V.TPSCEI6X20	サラネルト 6X20	TPSCEI screw 6x20 mm 44
P	0094.E2	Supporto Radiatore Inferiore OTK 470x265x43	Lower Support for radiator OTK 470x265x43 mm 7,480
Q	0094.E2B	Barra Supporto Radiatore Inf. OTK 470x265x43	Lower Radiator Support Bar OTK 470x265x43 mm 0
R	0094.E2A	Asta Supporto Radiatore Inf. OTK 470x265x43	Lower Radiator Support Bar OTK 470x265x43 mm 0
S	0093.C3	ラジエターキャップ	Radiator plug with hole 2,640
T	0094.ZB	OTK ラジエターシャッターKit 470x265x40mm	Air choke kit 25,190
U	0094.ZB8	Ginghiolo scorrimento	Sliding belt 0